

CASE



SPGK011 Series



In industrial area, comfortable lighting environment can ease visual fatigue of the worker, bring down accident rate and defect rate, highly improve production efficiency and product quality.

SPGK011 high bay applies circular design like a UFO, world-class Nichia LED, bringing super high efficacy and lumen output, to lower considerably power consumption, as well as to render comfort, safety and higher productivity.

Shenzhen Spark Optoelectronics S&T CO.,Ltd.

Headquarters : 27th floor,Block A,shenzhen International Innvation Center,1006
Shennan Rd.,Shenzhen,china.

Facotry : Wanlida Industry Park,Fuyuan 1st Road,Heping Village,Fuyong Town,
Banan District,shenzhen,China.

ZIP : 518035

Tel : +86-755 8390 4366

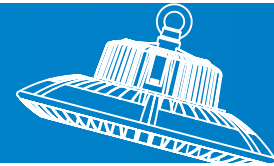
E-mail : spark@spark-oe.com

Fax : +86-755 8390 4766

Web : www.spark-oe.com

24-Hour : 400-6232311





Features



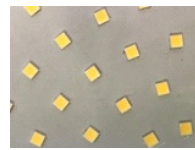
Constant current driver, independent heat dissipation, to deliver higher reliability



A big size ring for suspension, for more convenient installation

Thermoelectric separation design, to render excellent thermal performance

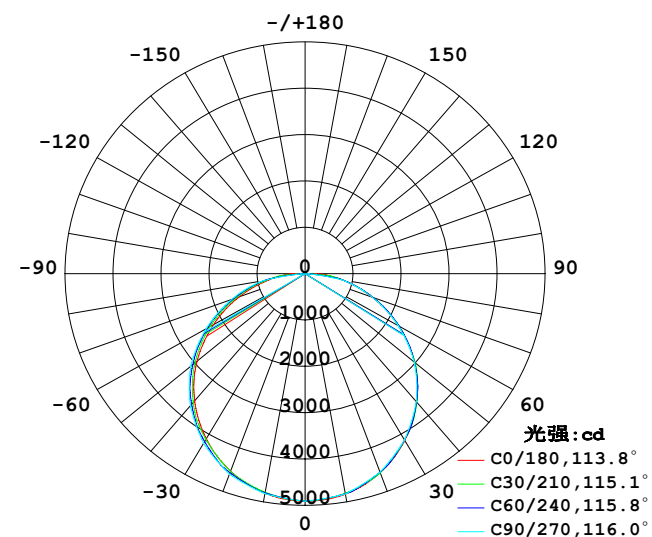
Nano grade aerospace material as housing by integral molding, with excellent thermal performance and anti-corrosion performance



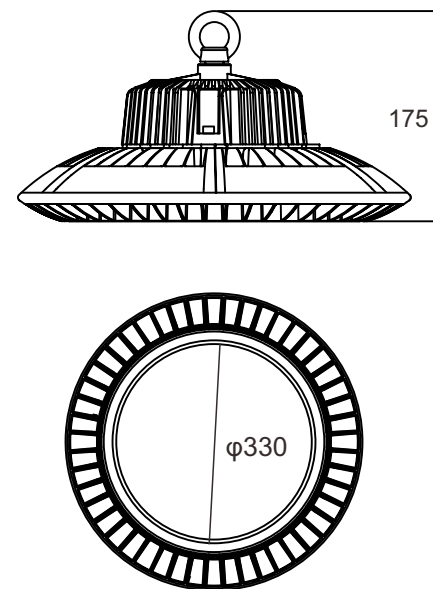
Original Nichia LED package, giving high up to 175LM/W for output lumen from the luminaire

Hollow-out design, to optimize heat dissipation by ventilation

Spectrum Chart



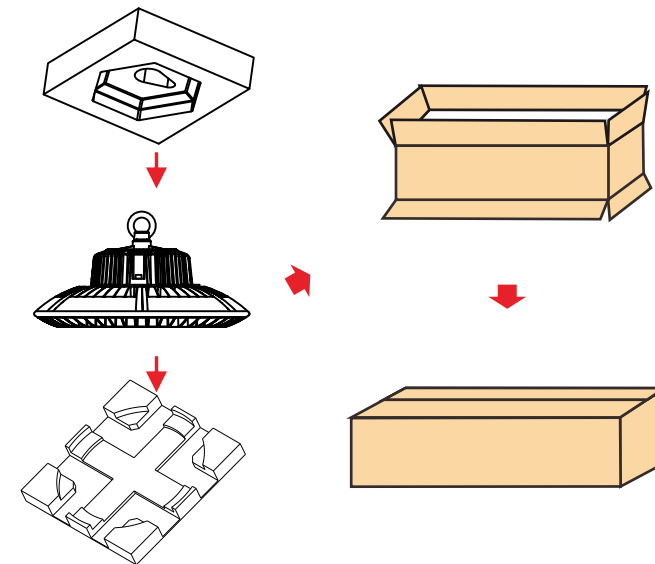
Dimensions



Specifications

Model No.	SPGK011-80	SPGK011-100	SPGK011-120	SPGK011-150	SPGK011-200	SPGK011-240	SPGK011-300
Powr Rate	80W	100W	120W	150W	200W	240W	300W
Luminous Flux	12000Lm	15000Lm	18000Lm	22500Lm	30000Lm	36000Lm	45000Lm
Luminous Efficiency	150Lm/W ± 10%						
Beam Angle	60° 90° 120°						
CRI	>80						
CCT	5000 5700 6500						
Input Voltage	100—277VAC						
Working Temperature	-40° ~+50°						
IP Rating	IP67						
N. W	4.1Kg	4.1Kg	4.5Kg	4.5Kg	5.3Kg	5.8Kg	5.8Kg
G.W	4.6Kg	4.6Kg	5Kg	5Kg	5.8Kg	6.3Kg	6.3Kg
Product Size	φ 330 x 175mm						
Package Size	420x420x250mm						

Packing



Installation

