



ShiningBell

UFO Lighting



Key Features:

- Zero Maintenance/Replace in 10 years
- Light weight
- Sole patent
- 170lm/W

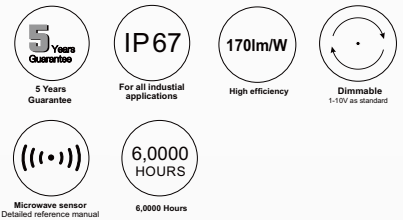


Specification

Model No.	SP-UFO100-O	SP-UFO120-O	SP-UFO150-O	SP-UFO200-O
Input Voltage	100-277VAC			
Frequency	50/60Hz			
Power Factor	>0.95			
Power	100W	120W	150W	200W
Luminous Efficiency	130lm/W,150lm/W,170lm/W			
CRI	≥80			
Beam Angle	60° 90° 120°			
Color Temperature	4000K 5700K 6500K			
Working Temperature	- 40°C-+50° C;10%-90%RH			
Storage Temperature	- 40°C-+80°C			
Lumen Maintenance	>50,000hrs			
Product size	170x φ 260	183x φ 260	183x φ 300	189x φ 300
Package size				
Function	DALI,Zigbee,Motion sensor,Day light			

Advantage

- Lightweight
- Fin type heat sink
- Innovative heat sink
- Unique appearance
- Dust free
- Ventilated self-cleaning
- High Efficiency



Saving Energy Ratio

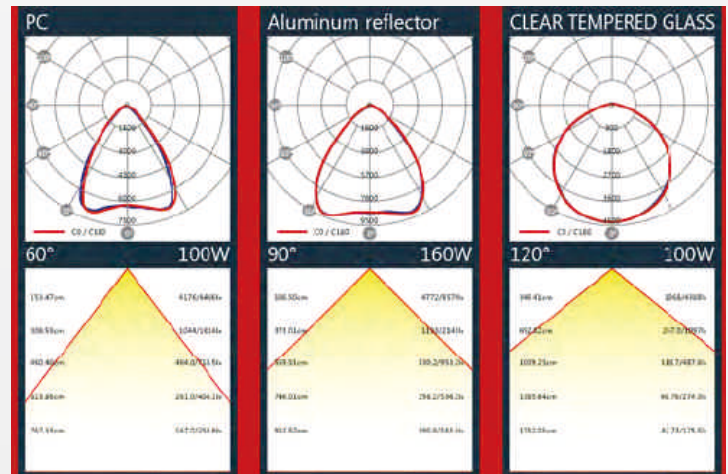
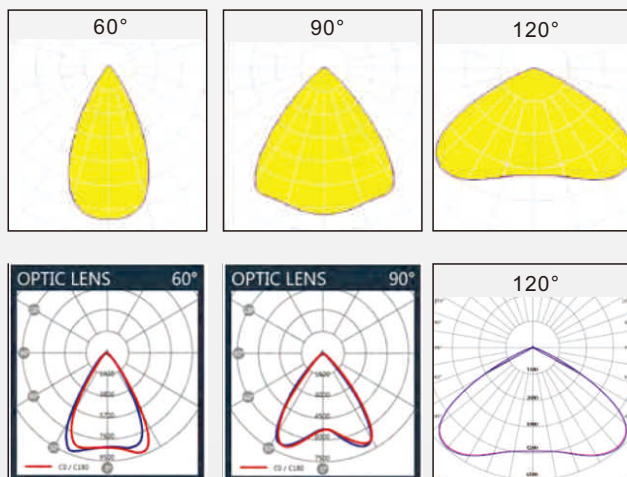
Model	Replacement	Reference Mounting Height	No. of Light-100m2,500lx	Energy-saving Efficiency
100W	300W MH/HPS	>6M	7	60%
120W	500W MH/HPS	>6M	7	60%
150W	600W MH/HPS	>6M	4	60%
200W	800W MH/HPS	>6M	3	60%

Why Care About UGR?

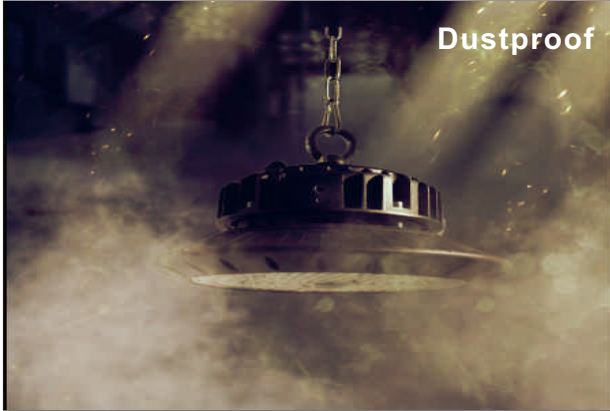
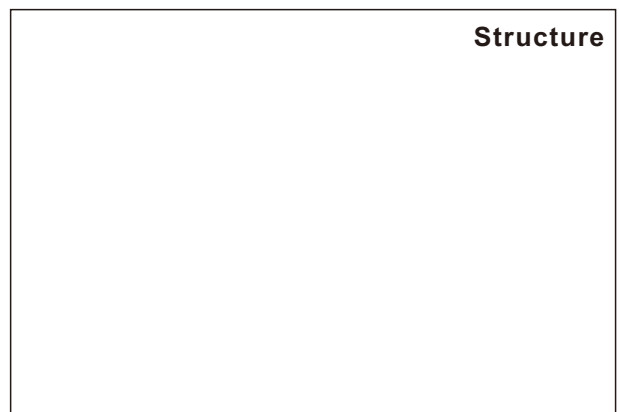
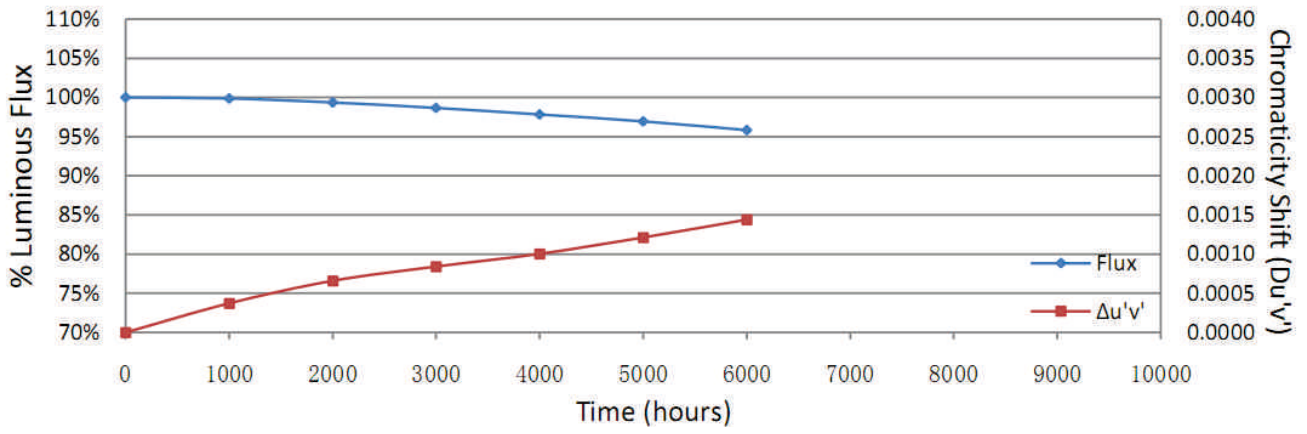
UGR(Unified Glare Rating)	Examples of maximum UGR limits
is concerned by:	Technical drawing <16
Standard Regulation(EN12461-1)	Reading, writing, classrooms, computer work, inspections <19
Design Guideline	Work in industry and craft workshops, reception >22
Rebate Requirement	Rough work, staircases <25
Lighting Performance	Corridors <28
End User Experience	



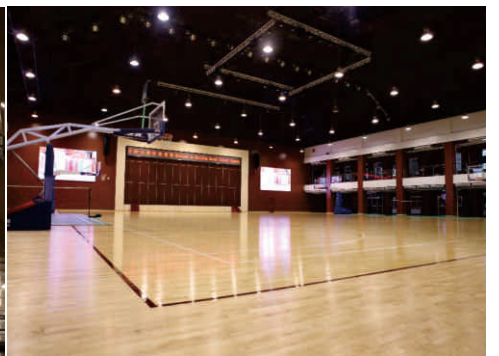
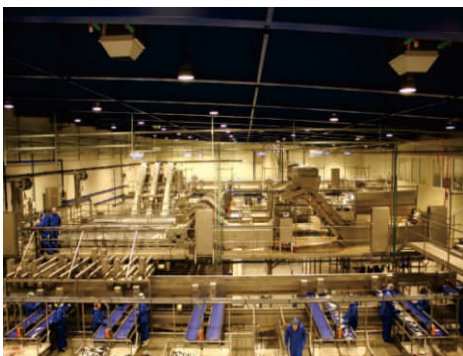
Luminous Intensity Distribution Diagram & Illumination Diagram



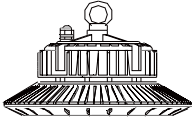
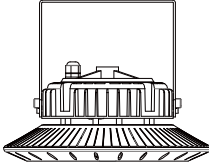
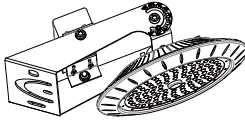
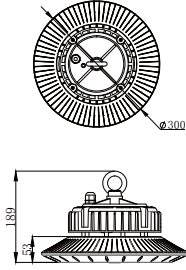
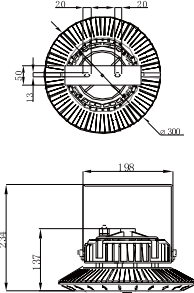
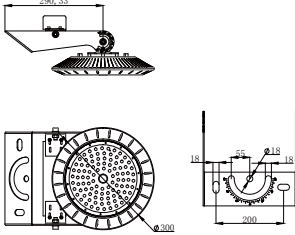
Lumen Depreciation



Application



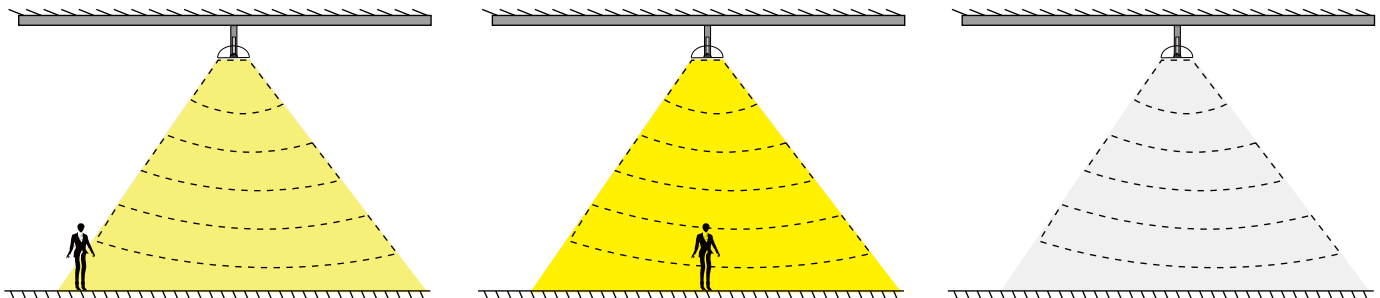
Installation

Mounting	Hanging Mouting	Bracket Mounting	HSNF
Photo			
Product size			

Accessories

①	②	③	④
---	---	---	---

Function-Motion sensor



Authentication



Shenzhen Spark Optoelectronics S&T CO.,Ltd.

Headquarters : 27th floor,Block A,shenzhen International Innvation Center,1006
Shennan Rd.,Shenzhen,china.518035

Tel : +86-755 8390 4366 E-mail : spark@spark-oe.com

Fax : +86-755 8390 4766 Web : www.spark-oe.com

