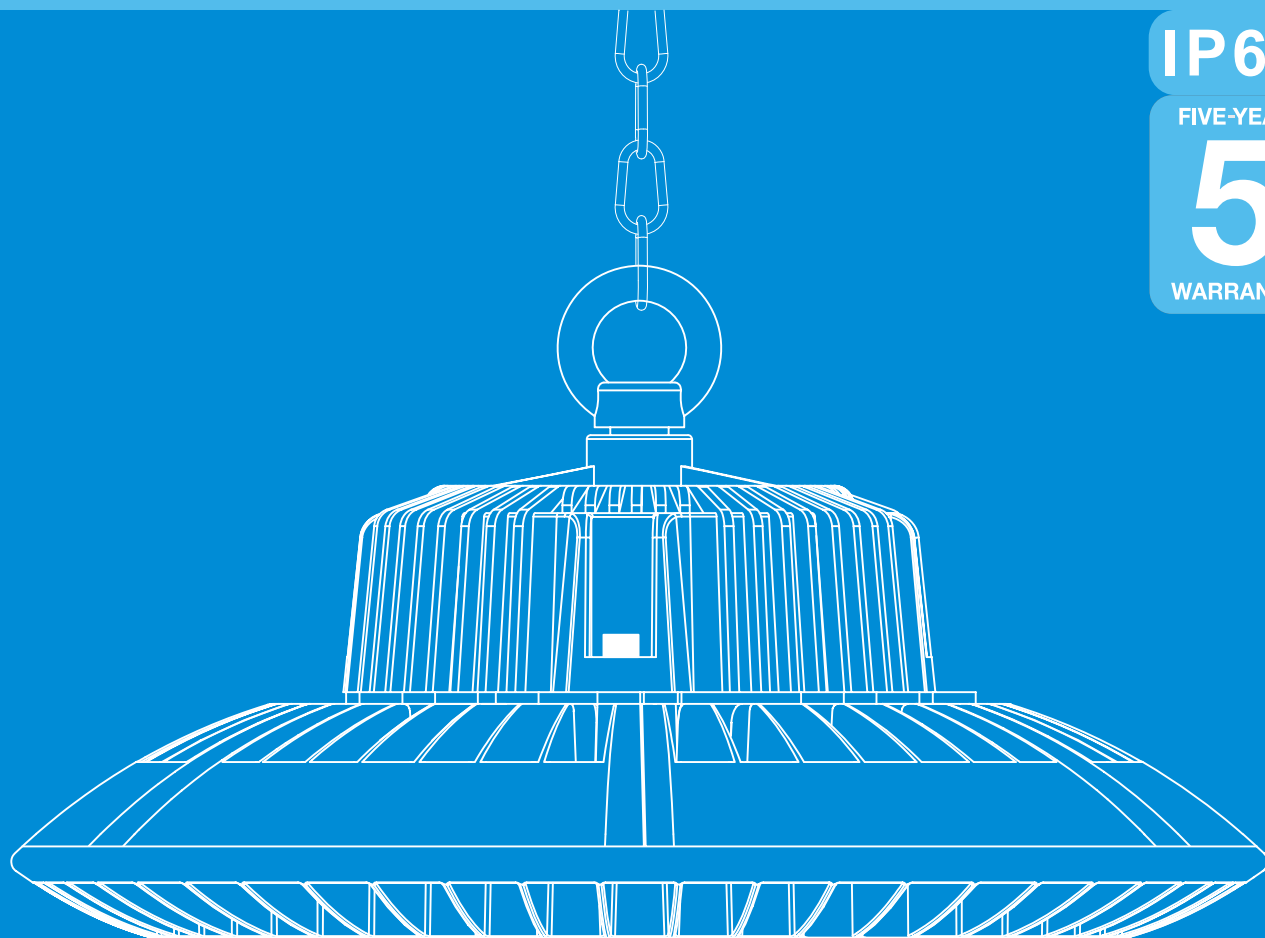


SPARK[®]

HIGHBAY LIGHT

SPGK011-SERIES



IP67

FIVE-YEAR

5

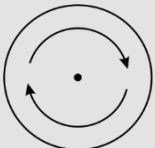
WARRANTY

Die casting UFO LED High Bay



SPGK011 series LED High Bay Light has high-quality die-casting aluminum for heat sink, UFO appearance design, light weight structure, beautiful and stylish, A unique replacement for traditional high bay light.

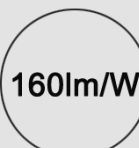
Optional function: microwave induction and DALI / 0-10V / PWM optional dimming features. It is an excellent product for industrial and mining, factories, warehouses, stadiums, exhibition halls and other large space.



Dimmable
1-10V as standard



5 Years Guarantee



High efficiency



For all industrial applications

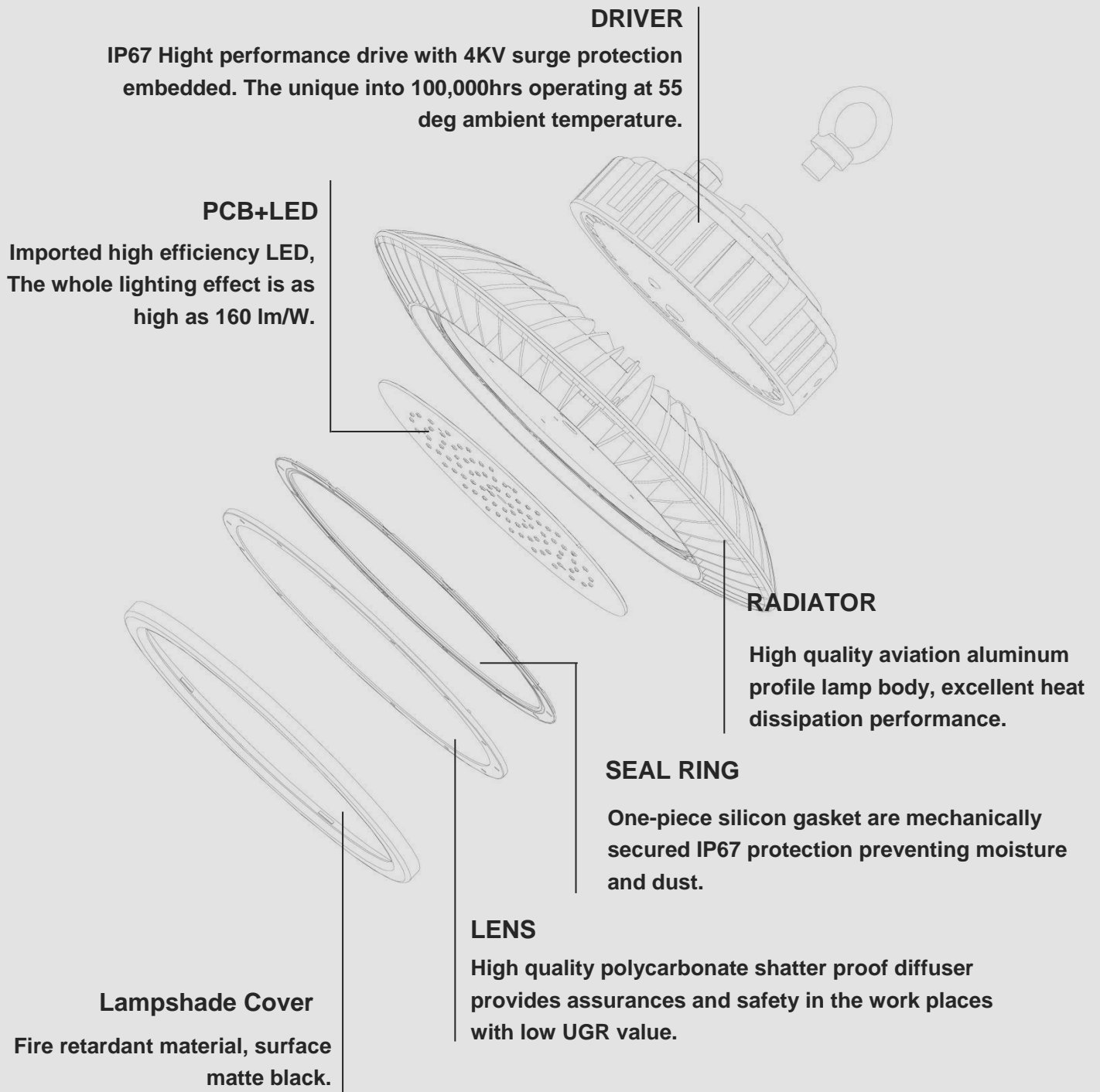


Microwave sensor
Detailed reference manual



10,000 Hours

Explosive View



Feature

High efficacy as always, up to 160lm/W

LED chip from US with high luminous efficiency, luminaire efficacy up to 160 lm / W, 40% energy saving than conventional LED high bay light, significantly reducing energy costs.

Adapt to bad working environment

Die-casting aluminum for heat sink, high-tech surface spraying technology, perform well in thermal conductivity and Cooling, wear-resistant anti-corrosion, waterproof and dustproof, suitable for a variety of harsh working conditions

Smart as always

0-10V / DALI / PWM and other intelligent dimming control optional, intelligent control brightness, less costs with much more energy-saving

Optional microwave induction

Microwave induction function optional, automatic power off when people leave, significantly reduce energy costs.

Fashion shape design

UFO appearance design, lightweight structure, beautiful fashion, leading industrial lighting.

Application

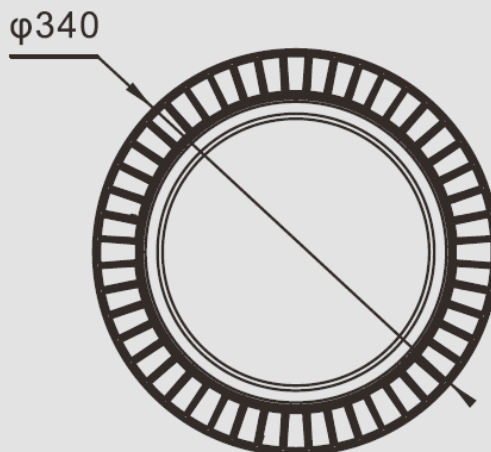
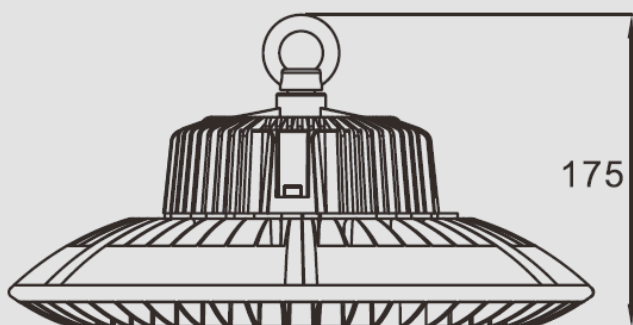
Mining, factories, warehouses, stadiums, exhibition halls, workshops and other large high-altitude lighting case.



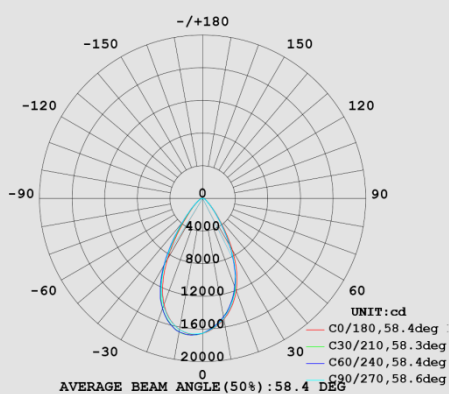
Specifications

Model No.	SPGK011-100	SPGK011-120	SPGK011-150	SPGK011-200	SPGK011-240
Rated Power	100W	120W	150W	200W	240W
Luminous Flux(lm)	14000/16000	16800/19200	21000/24000	28000/32000	33600/38400
Luminous Efficiency (lm/W)	140/160 lm/W				
Beam Angle	60°/90°/120°				
CCT	5000K/5700K/6500K				
Power Factor	0.95				
Input Voltage	100-277VAC 50/60Hz				
Storage Voltage	-40°C ~ +80°C				
Working Temperature	-40°C ~ +50°C 10% ~ 90RH				
IP Rating	IP66				
N.W	4.1Kg	4.5Kg	5.3Kg	5.8Kg	5.8Kg
G.W	4.6Kg	5.0Kg	5.8Kg	5.8Kg	6.3Kg
Product Size	Φ340x175mm				
Packing size	415X325X315mm				
Installation Method	Hanging install/Bracket install				

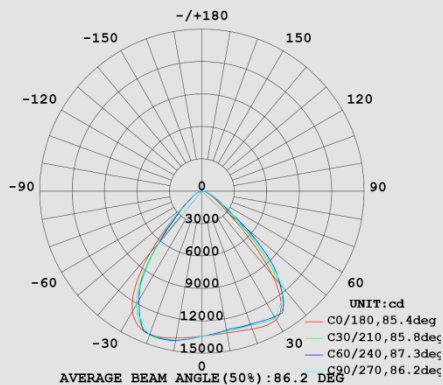
Outline Drawing (Unit:mm)



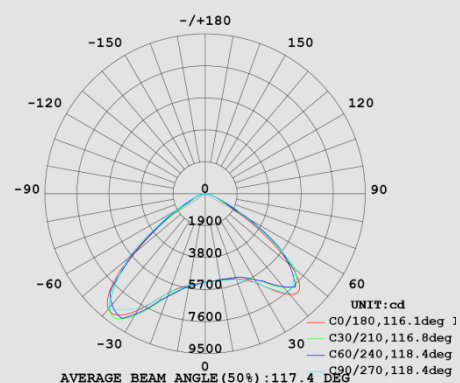
Photometric Diagrams



60°

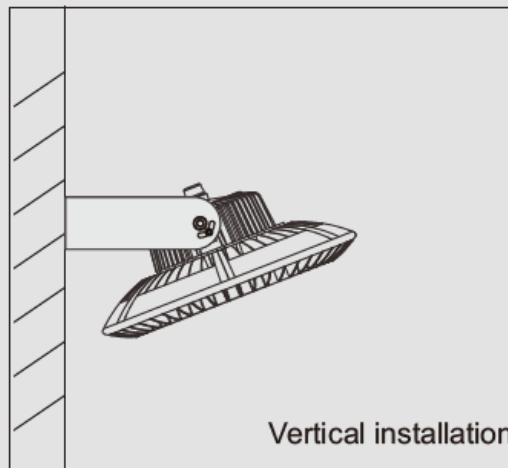
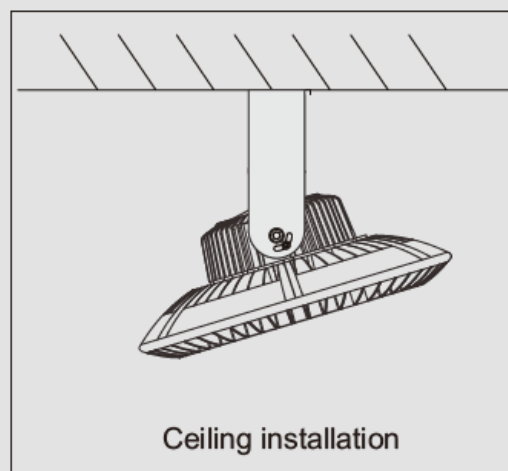


90°



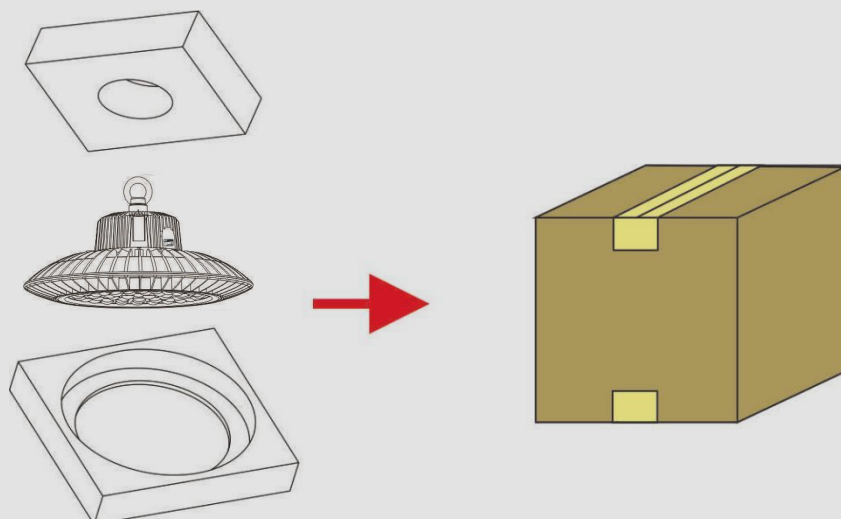
120°

Installation

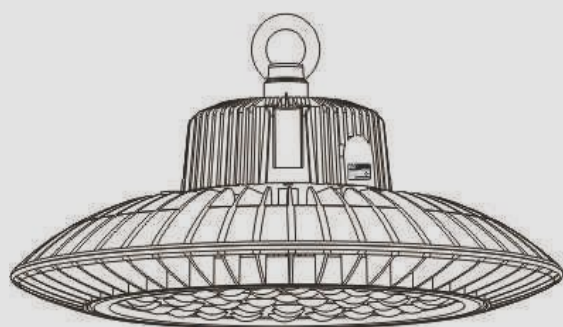


Packing

1. Packaging Sketch Map



2. Product Labeling



3. Mark Label



Shenzhen Spark Optoelectronics S&T Co., Ltd.

Headquarter

27th floor,Block A,Shenzhen International Innovation Center,1006 Shennan Rd.,Shenzhen,China

ZIP:518035

Tel : +86-755 8308 8855 +86-755 8390 4366

Fax: +86-755 8391 4431 +86-755 8390 4766

24-Hour Service Hotline: 400-6232311

E-mail: spark@spark-oe.com Web: www.sparkoe.com

Factory

Wanlida Industrial Park, Fuyuan 1st Road, Heping Village, Fuyong Town, Baoan District, Shenzhen, China

ZIP: 518103

Tel: +86-755 2959 6112 Fax: +86-755 2959 6117